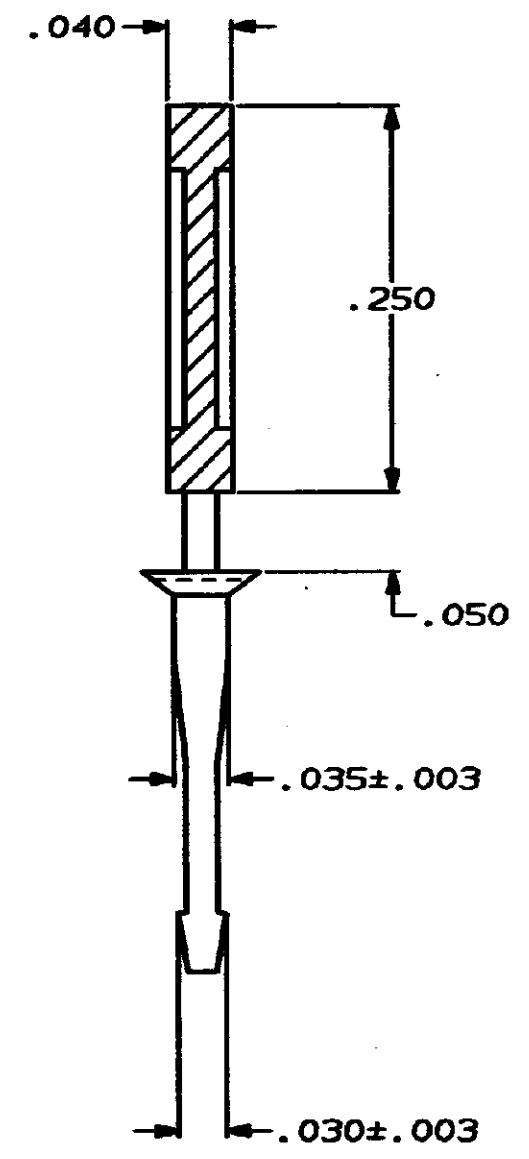
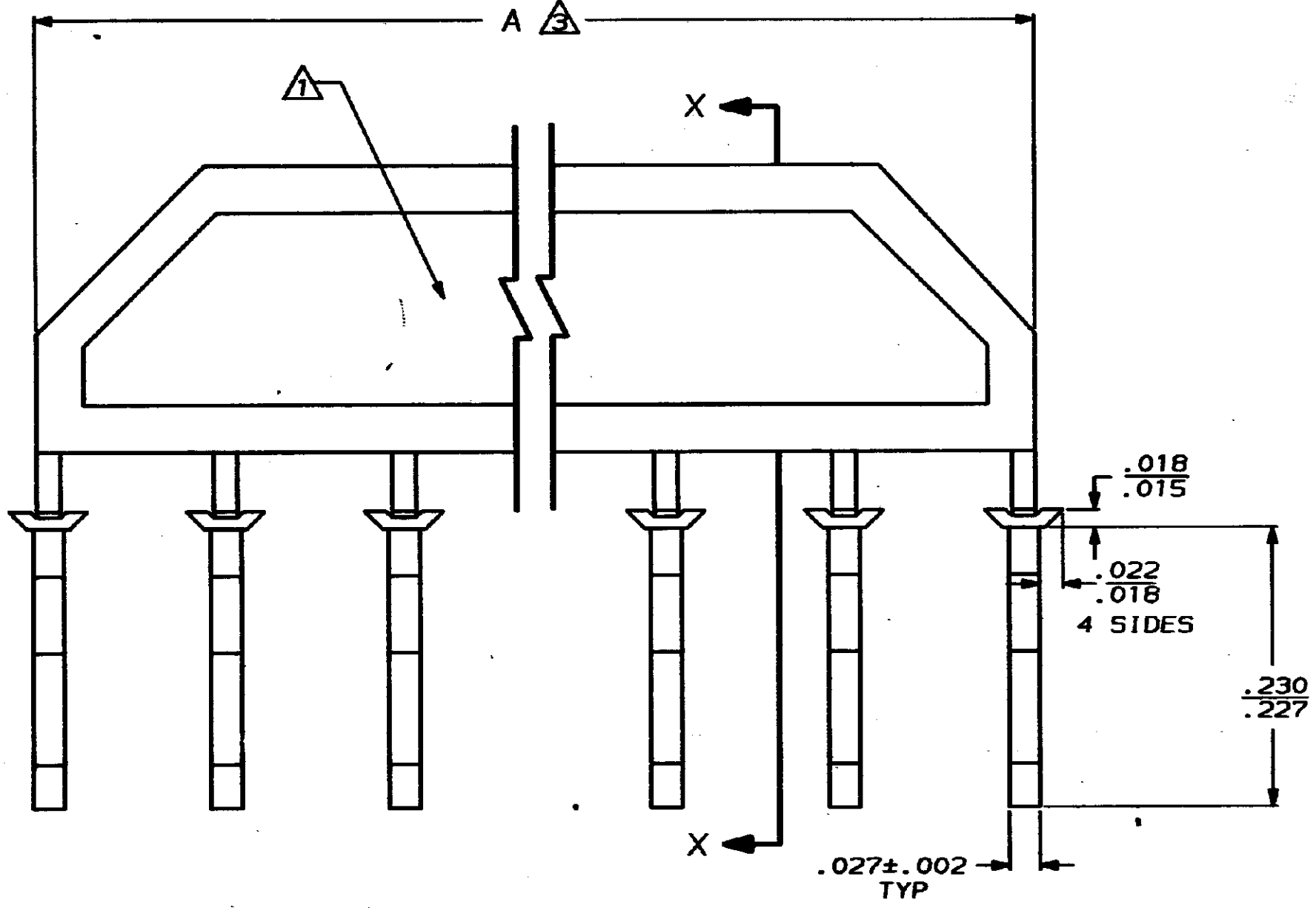


DRAWING MADE IN THIRD ANGLE PROJECTION
 THIS DRAWING IS UNPUBLISHED. RELEASED FOR PUBLICATION 19
 © COPYRIGHT 19 BY AMP INCORPORATED, HARRISBURG, PA. ALL INTERNATIONAL RIGHTS
 104072 AMP PRODUCTS MAY BE COVERED BY U.S. AND FOREIGN PATENTS AND/OR PATENTS PENDING.

LOC		DIST		REVISIONS				
AD	39	P	F	ZONE	LTR	DESCRIPTION	DATE	APPROVED
				0		REL WAS 5990-608		
				A		REV LOC & DIST AD-4171	3-90	BF

D
C
B
A



SECTION X-X

- ① "AMP" TRADEMARK ON SURFACE INDICATED
- ② MINIMUM OF EIGHT KEYING PLUGS ARE TO BE ATTACHED TO THE CARRIER
- ③ THIS DIMENSION APPLIES OVER THE CARRIER AREA, IT DOES NOT CONTROL THE KEYING PLUGS

1.372	10/2	104072-1
A	NO OF PLUGS	PART NUMBER

UNLESS OTHERWISE SPECIFIED DIMENSIONS ARE IN INCHES TOLERANCES ON: 2 PL DEC ± - 3 PL DEC ± .005 ANGLES ± -	DR 4-16-87 H. HOLL	AMP INCORPORATED Harrisburg, Pa. 17105		
	CHK 4-16-87 L. MAYER			
	MATERIAL: FLAME RETARDANT THERMOPLASTIC COLOR-WHITE	APPD 4-16-87 P. DeJONG	NAME KEYING PLUGS, MTE	
	FINISH:	APPD 4-16-87 J. SCHIEFER		
	PRODUCT SPEC	SIZE C	FSCM NO 00779	DRAWING NO 104072
	APPLICATION SPEC	SCALE 10:1	SHEET 1 OF 1	
	WEIGHT			

AMP 1471-7 REV 10-84

20 FEB 1980 14:51:34 52923 48020-107-CR000-0014072-1-3-4-5-6-7-8-9-10-11-12-13-14-15-16-17-18-19-20-21-22-23-24-25-26-27-28-29-30-31-32-33-34-35-36-37-38-39-40-41-42-43-44-45-46-47-48-49-50-51-52-53-54-55-56-57-58-59-60-61-62-63-64-65-66-67-68-69-70-71-72-73-74-75-76-77-78-79-80-81-82-83-84-85-86-87-88-89-90-91-92-93-94-95-96-97-98-99-100

CUSTOMER DRAWING

104072